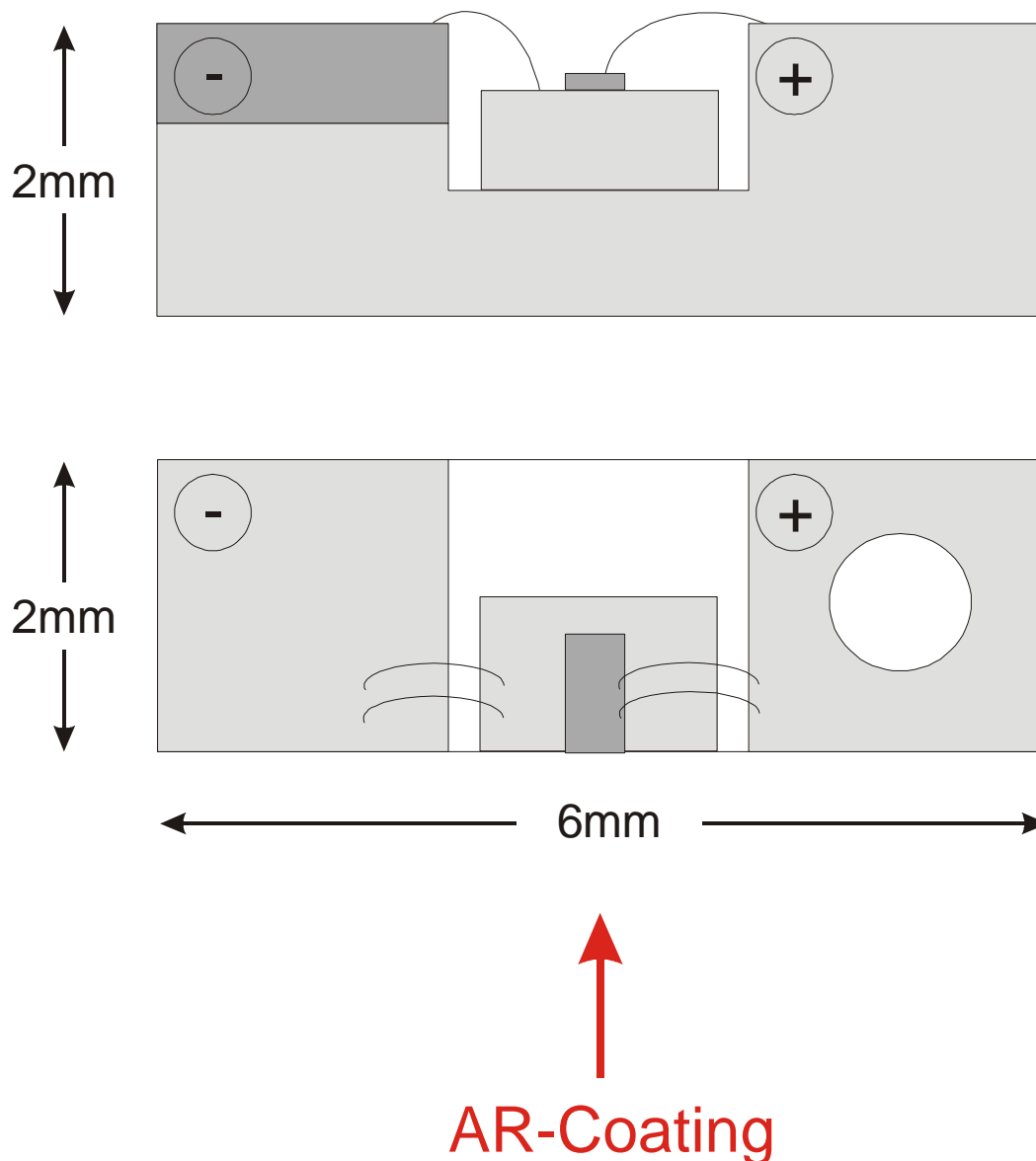


## Laser Carrier: C1

**Description:** The C1 laser carrier is a 6mm wide chip on carrier type of laser carrier. There are two different models used with different polarity of the diode laser.

**Drawing:** 6mm wide chip on carrier



Document: <http://data.sacher-laser.com/DLMount/C1.pdf>  
 Note: Specification are subject to change without further notice

Sacher Lasertechnik GmbH  
 Hannah Arendt Str. 3-7  
 D-35037 Marburg, Germany

Tel.: +49 6421 305290  
 Fax: +49 6421 305299  
 Email: [contact@sacher.de](mailto:contact@sacher.de)

Sacher Lasertechnik, LLC  
 5765 Equador Way  
 Buena Park, CA 90620, USA

Tel.: 1-714-670-7605  
 Fax: 1-714-670-7662  
 Email: [sales@sacher-laser.com](mailto:sales@sacher-laser.com)

