

# Model-No.: DFB-0763-050, DFB Diode Laser

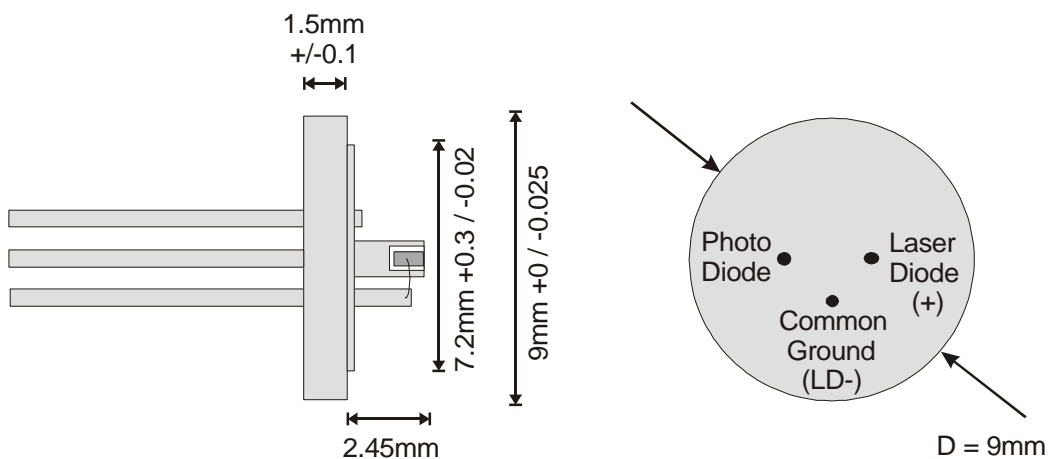


**Description:** The DFB-0763-050 is a high power MOVPE grown GaAsP/AlGaAs Distributed Feedback diode laser. The chips are mounted in 9mm TO-can. The diode laser operates spatially and longitudinally single mode. Manufacturer is Eagleyard Photonics.

**Characteristics:** The characteristics are measured at 25°C operation temperature.

Parameter	Symbol	Unit	Min.	typ.	max.
Center Wavelength	$\lambda_c$	nm	760	763	766
Spectral Width	$\Delta\lambda$	MHz		5	10
Temperature Coefficient	$\Delta T/\Delta\lambda$	m/K		0.08	
Output Power	$P_{opt}$	mW	80	100	
Slope Efficiency	$\eta$	mW/mA	0.6	0.8	1.0
Threshold Current	$I_{th}$	mA	40	50	60
Operation Current @ 100mW	$I_{op}$	mA		160	200
Chip Length	$L_c$	$\mu m$		1500	
Emitter width	$W_c$	$\mu m$		4	
Beam Divergence    (FWHM)	$\theta_{  }$	deg.	6	8	10
Beam Divergence $\perp$ (FWHM)	$\theta_{\perp}$	deg.	18	21	24
Polarization				TM	
Mode Structure			fundamental transverse mode		

**Laser Mount:** 9mm TO-can with monitor diode



Side View of the Laser Mount

Rear View of the Laser Mount

Document: <http://data.sacher-laser.com/dbr/DFB0763050.pdf>  
 Note: Specification are subject to change without further notice

