

## Model-No.: DFB-0780-080, DFB Diode Laser

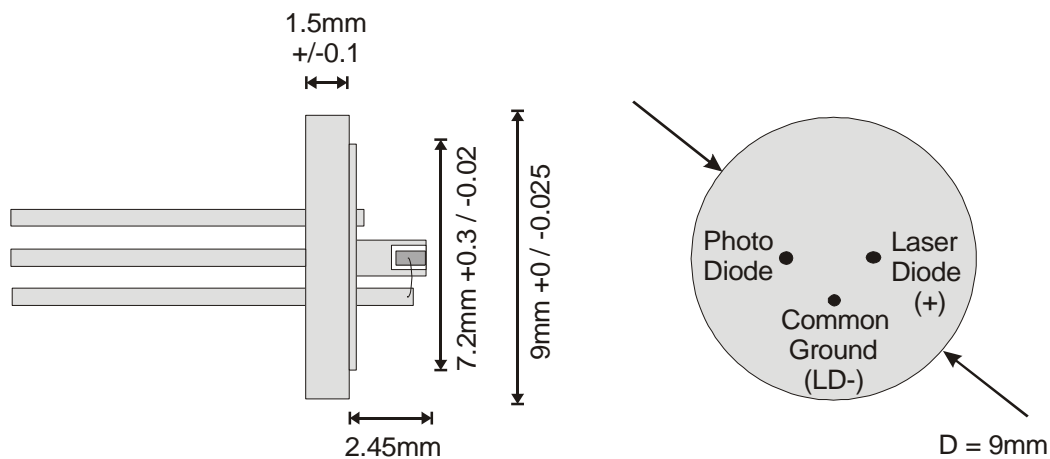
**Description:** The DFB-0780-080 is a high power MOVPE grown GaAsP/AlGaAs Distributed Feedback diode laser. The chips are mounted in 9mm TO-can. The diode laser operates spatially and longitudinally single mode. Manufacturer is Eagleyard Photonics.

**Wavelength:** Selected for Rubidium Spectroscopy

**Characteristics:** The characteristics are measured at 25°C operation temperature.

Parameter	Symbol	Unit	Min.	typ.	max.
Center Wavelength	$\lambda_c$	nm	777	780	783
Spectral Width	$\Delta\lambda$	MHz		5	10
Temperature Coefficient	$\Delta T/\Delta\lambda$	nm/K		0.04	
Output Power	$P_{opt}$	mW		80	100
Slope Efficiency	$\eta$	mW/mA	0.65	0.8	1.0
Threshold Current	$I_{th}$	mA	40	50	60
Operation Current @ 100mW	$I_{op}$	mA		160	200
Chip Length	$L_c$	$\mu m$		1500	
Emitter width	$W_c$	$\mu m$		4	
Beam Divergence    (FWHM)	$\theta_{  }$	deg.		10	
Beam Divergence $\perp$ (FWHM)	$\theta_{\perp}$	deg.		30	
Polarization				TM	
Mode Structure			fundamental transverse mode		

**Laser Mount:** 9mm TO-can with monitor diode



Side View of the Laser Mount

Rear View of the Laser Mount

Document: <http://data.sacher-laser.com/dbr/DFB0780080.pdf>  
 Note: Specification are subject to change without further notice

