

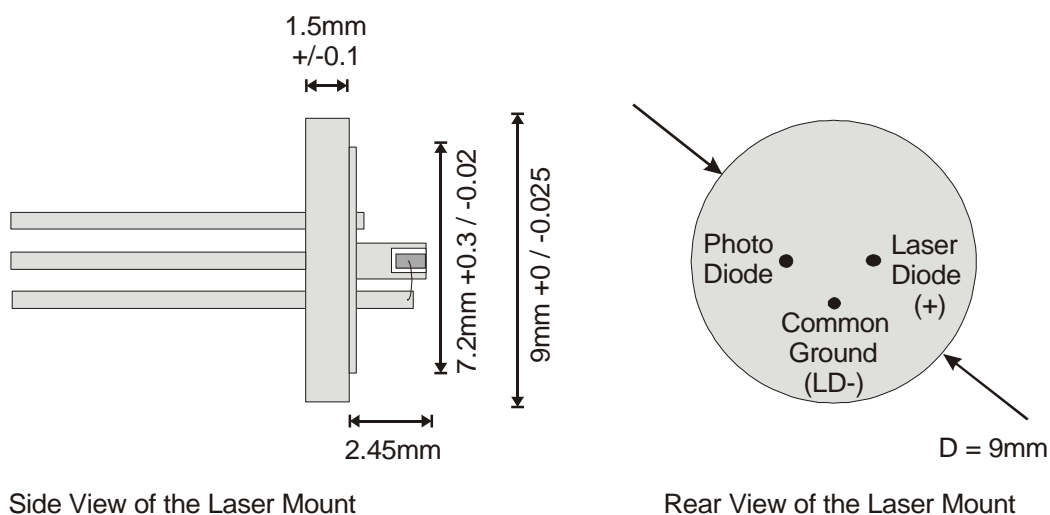
Model-No.: DFB-1338-005, DFB Diode Laser

Description: The DFB-1338-005 is a MOVPE grown GaInAsP/InP Distributed Feedback diode laser. The chips are mounted in 9mm TO-can. The diode laser operates spatially and longitudinally single mode.

Characteristics: The characteristics are measured at 25°C operation temperature.

Paramter	Symbol	Unit	Min.	typ.	max.
Center Wavelength	λ_c	nm	1335	1338	1341
Spectral Width	$\Delta\lambda$	MHz		5	10
Temperature Coefficient	$\Delta T/\Delta\lambda$	m/K		0.09	
Output Power	P_{opt}	mW		3	5
Slope Efficiency	η	mW/mA	0.1	0.15	0.2
Threshold Current	I_{th}	mA	25	30	35
Operation Current @ 5mW	I_{op}	mA		75	90
Chip Length	L_c	μm		600	
Emitter width	W_c	μm		2.8	
Beam Divergence (FWHM)	$\theta_{ }$	deg.		17	
Beam Divergence \perp (FWHM)	θ_{\perp}	deg.		30	
Polarzation				TE	
Mode Structure			fundamental transverse mode		

Laser Mount: 9mm TO-can without monitor diode



Document: <http://data.sacher-laser.com/dbr/DFB1338005.pdf>
 Note: Specification are subject to change without further notice

Sacher Lasertechnik GmbH
 Hannah Arendt Str. 3-7
 D-35037 Marburg, Germany

Tel.: +49 6421 305290
 Fax: +49 6421 305299
 Email: contact@sacher.de

Sacher Lasertechnik, LLC
 5765 Equador Way
 Buena Park, CA 90620, USA

Tel.: 1-714-670-7605
 Fax: 1-714-670-7662
 Email: sales@sacher-laser.com

