

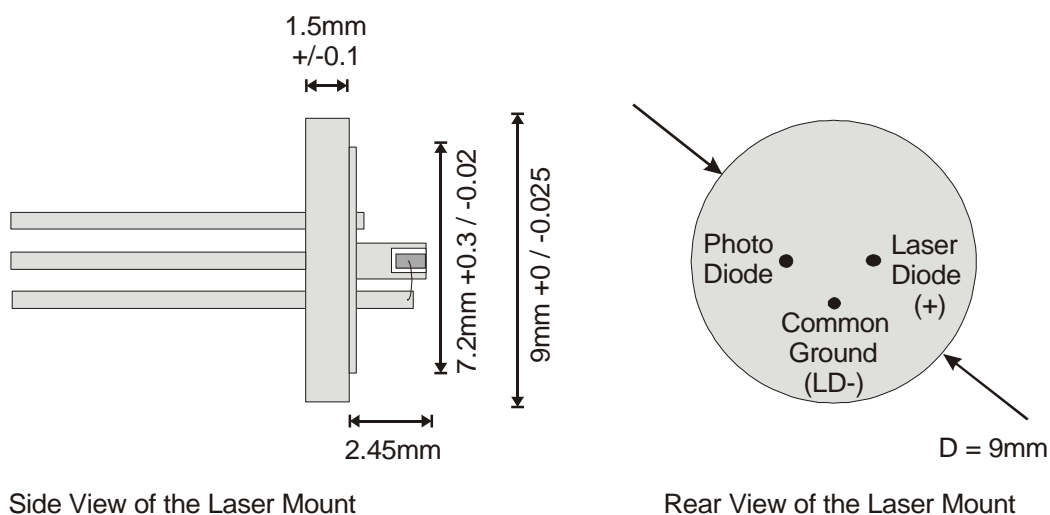
## Model-No.: DFB-1742-003, DFB Diode Laser

**Description:** The DFB-1742-003 is a MOVPE grown GaInAsP/InP Distributed Feedback diode laser. The chips are mounted in 9mm TO-can. The diode laser operates spatially and longitudinally single mode.

**Characteristics:** The characteristics are measured at 25°C operation temperature.

Paramter	Symbol	Unit	Min.	typ.	max.
Center Wavelength	$\lambda_c$	nm	1737	1742	1747
Spectral Width	$\Delta\lambda$	MHz		5	10
Temperature Coefficient	$\Delta T/\Delta\lambda$	m/K		0.11	
Output Power	$P_{opt}$	mW		2	3
Slope Efficiency	$\eta$	mW/mA	0.1	0.15	0.2
Threshold Current	$I_{th}$	mA	25	30	35
Operation Current @ 3mW	$I_{op}$	mA		65	90
Chip Length	$L_c$	$\mu m$		600	
Emitter width	$W_c$	$\mu m$		2.8	
Beam Divergence    (FWHM)	$\theta_{  }$	deg.		16	
Beam Divergence $\perp$ (FWHM)	$\theta_{\perp}$	deg.		30	
Polarzation				TE	
Mode Structure			fundamental transverse mode		

**Laser Mount:** 9mm TO-can without monitor diode



Document: <http://data.sacher-laser.com/dbr/DFB1742003.pdf>  
 Note: Specification are subject to change without further notice

