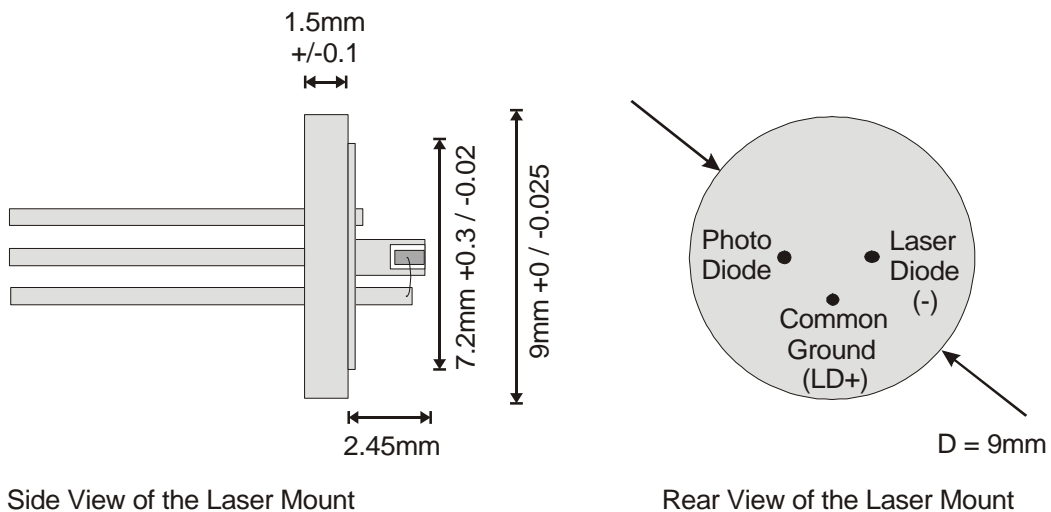


Laser Carrier: G1

Description: The G1 laser carrier is a 9mm TO-can which includes laser diode and monitor diode. There are two different models used with different polarity of the diode laser.

Drawing: 9mm TO-can with monitor diode



Document: <http://data.sacher-laser.com/DLMount/G1.pdf>
 Note: Specification are subject to change without further notice

