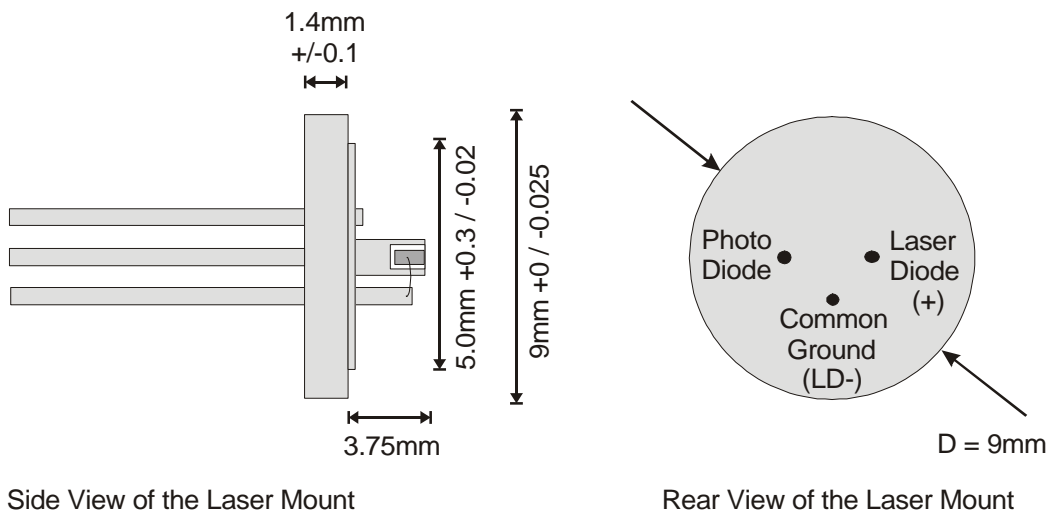


## Laser Carrier: G3

**Description:** The G3 laser carrier is a 9mm TO-can which includes laser diode and monitor diode. There are three different models used with different polarity of the diode laser.

**Drawing:** 9mm TO-can with monitor diode



Side View of the Laser Mount

Rear View of the Laser Mount

Document: <http://data.sacher-laser.com/DLMount/G3.pdf>  
 Note: Specification are subject to change without further notice

Sacher Lasertechnik GmbH  
 Hannah Arendt Str. 3-7  
 D-35037 Marburg, Germany

Tel.: +49 6421 305290  
 Fax: +49 6421 305299  
 Email: contact@sacher.de

Sacher Lasertechnik, LLC  
 5765 Equador Way  
 Buena Park, CA 90620, USA

Tel.: 1-714-670-7605  
 Fax: 1-714-670-7662  
 Email: sales@sacher-laser.com

