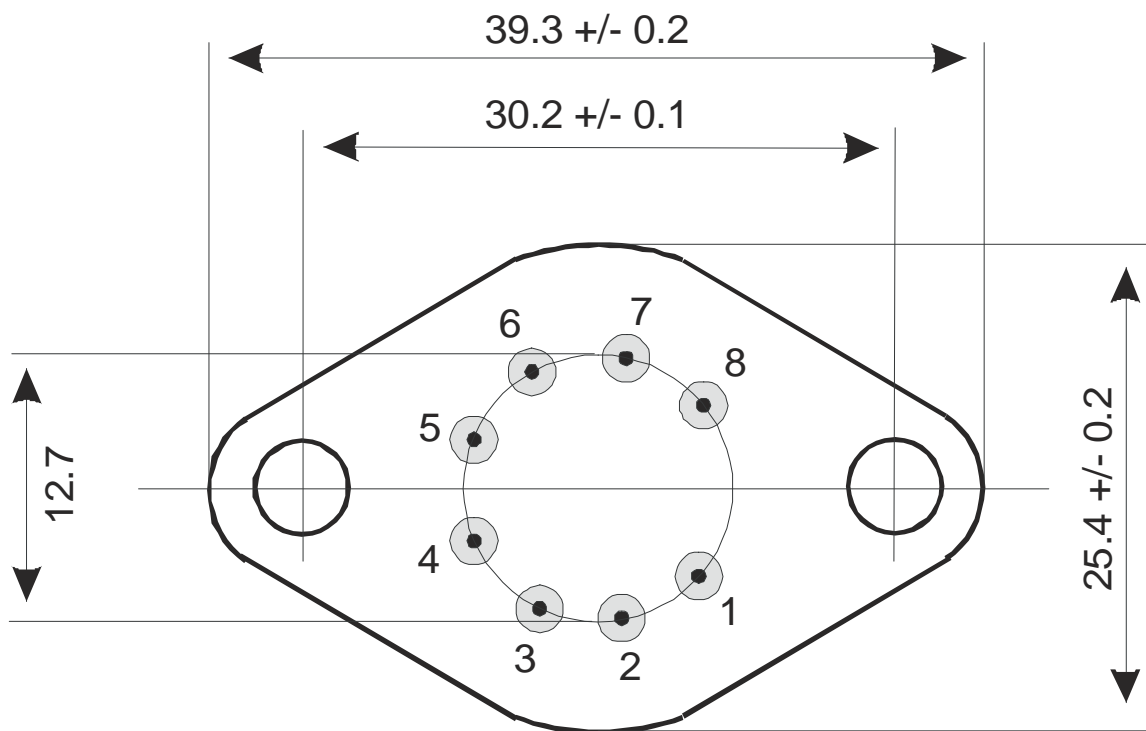


## Laser Carrier: TO3

**Description:** The TO3 laser carrier is a TO-can which for the operation of multi-segment laser diodes as DBR diode lasers.

**Drawing:**



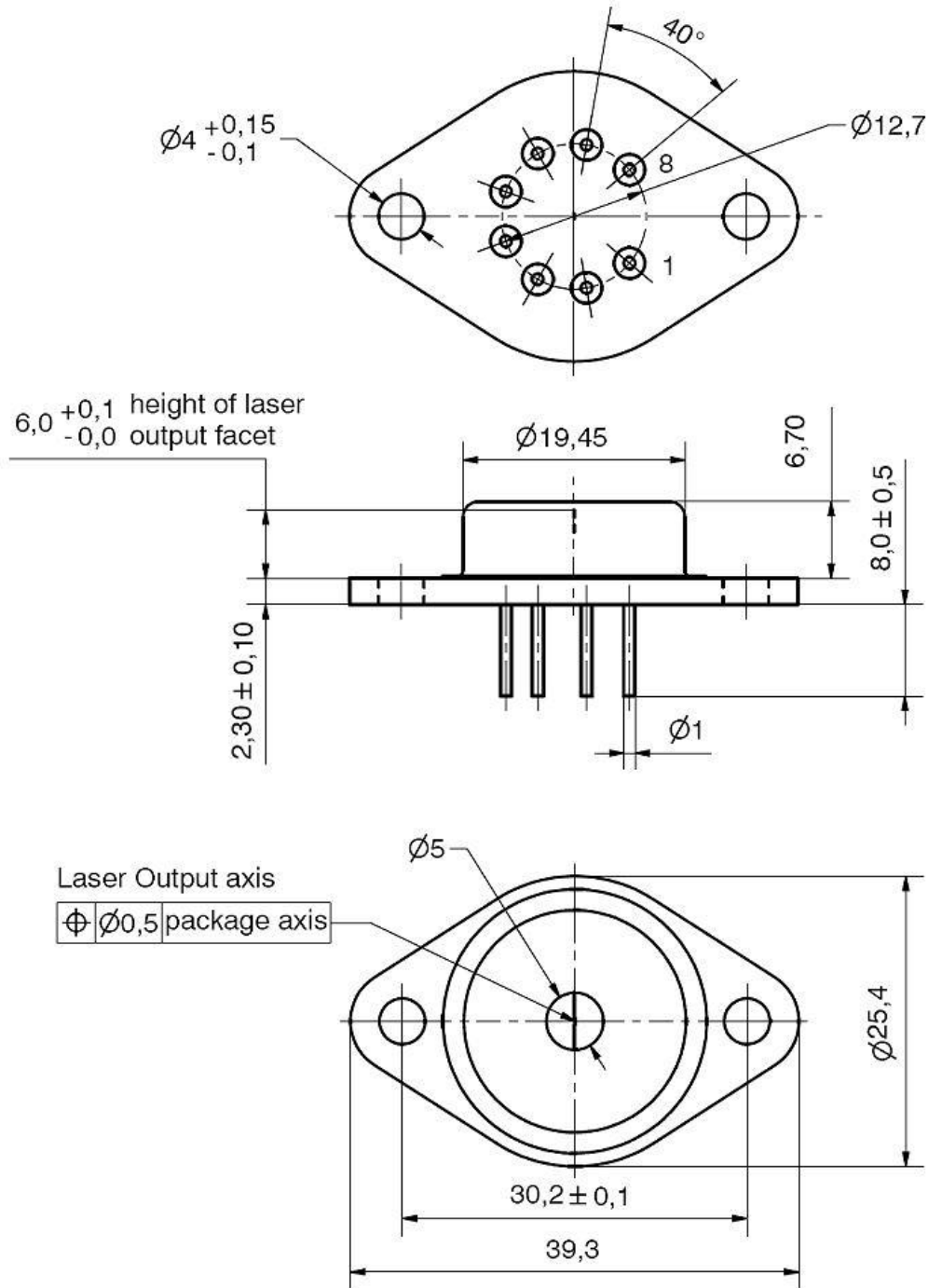
**PIN Layout:**

- Pin 2: Anode DBR
- Pin 3: Anode DBR
- Pin 4: Laser Cathode
- Pin 5: Anode Gain
- Pin 6: Anode Phase
- Pin 7: Anode Gain

Document: <http://data.sacher-laser.com/DLMount/TO3.pdf>  
 Note: Specification are subject to change without further notice



**Package Information:**



**Window:**

The emission window is performed by 0.3mm thick quartz glass. The package is hermetically sealed and filled with  $N_2$  gas for environmental protection.

**Beam Properties:**

The fast axis of the laser beam is oriented parallel to the main axis of the TO3 can (connecting line between the screw holes).

Document: <http://data.sacher-laser.com/DLMount/TO3.pdf>

Note: Specification are subject to change without further notice

Sacher Lasertechnik GmbH  
Hannah Arendt Str. 3-7  
D-35037 Marburg, Germany

Tel.: +49 6421 305290  
Fax: +49 6421 305299  
Email: contact@sacher.de

Sacher Lasertechnik, LLC  
5765 Equador Way  
Buena Park, CA 90620, USA

Tel.: 1-714-670-7605  
Fax: 1-714-670-7662  
Email: sales@sacher-laser.com

