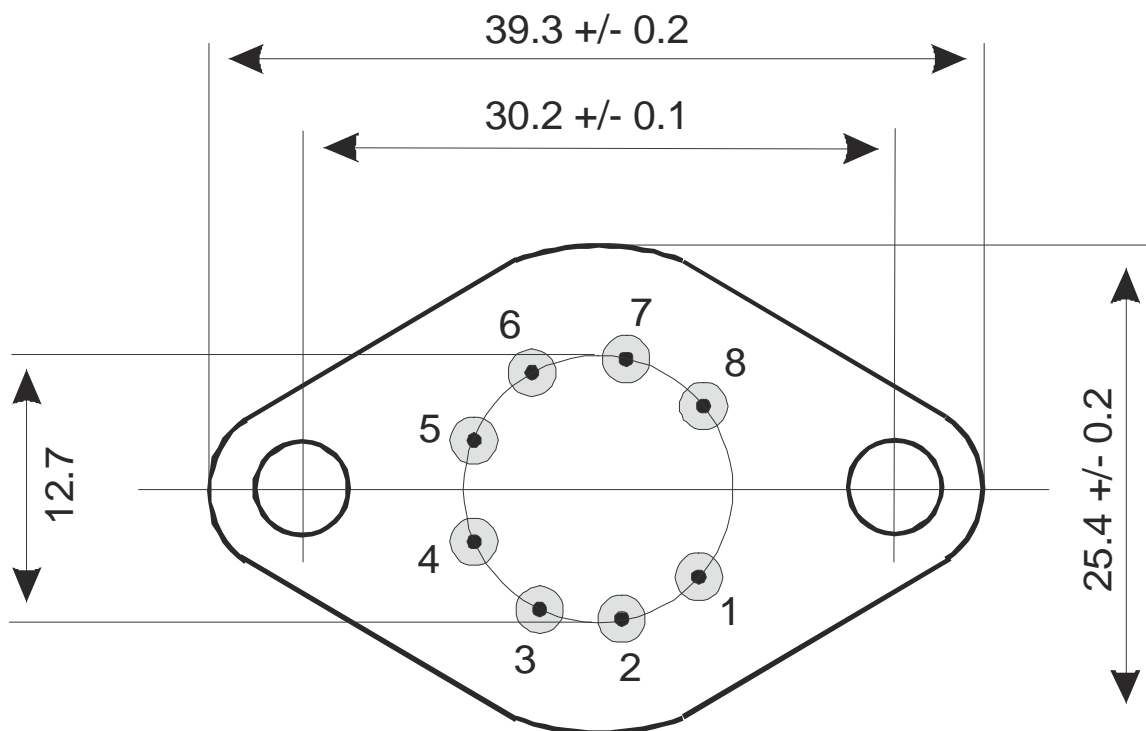


## Laser Carrier: TO3 with Peltier Cooler

**Description:** The TO3 laser carrier is a TO-can which includes laser diode, monitor diode and thermo-electric cooler (TEC). The technical data of the thermo-electric cooler are:  $I_{\max} = 1.8\text{A}$ ,  $V_{\max} = 3.2\text{V}$ ,  $Q_{\max} = 3.1\text{W}$ ,  $dT_{\max} = 70\text{K}$  (without thermal load)

**Drawing:**



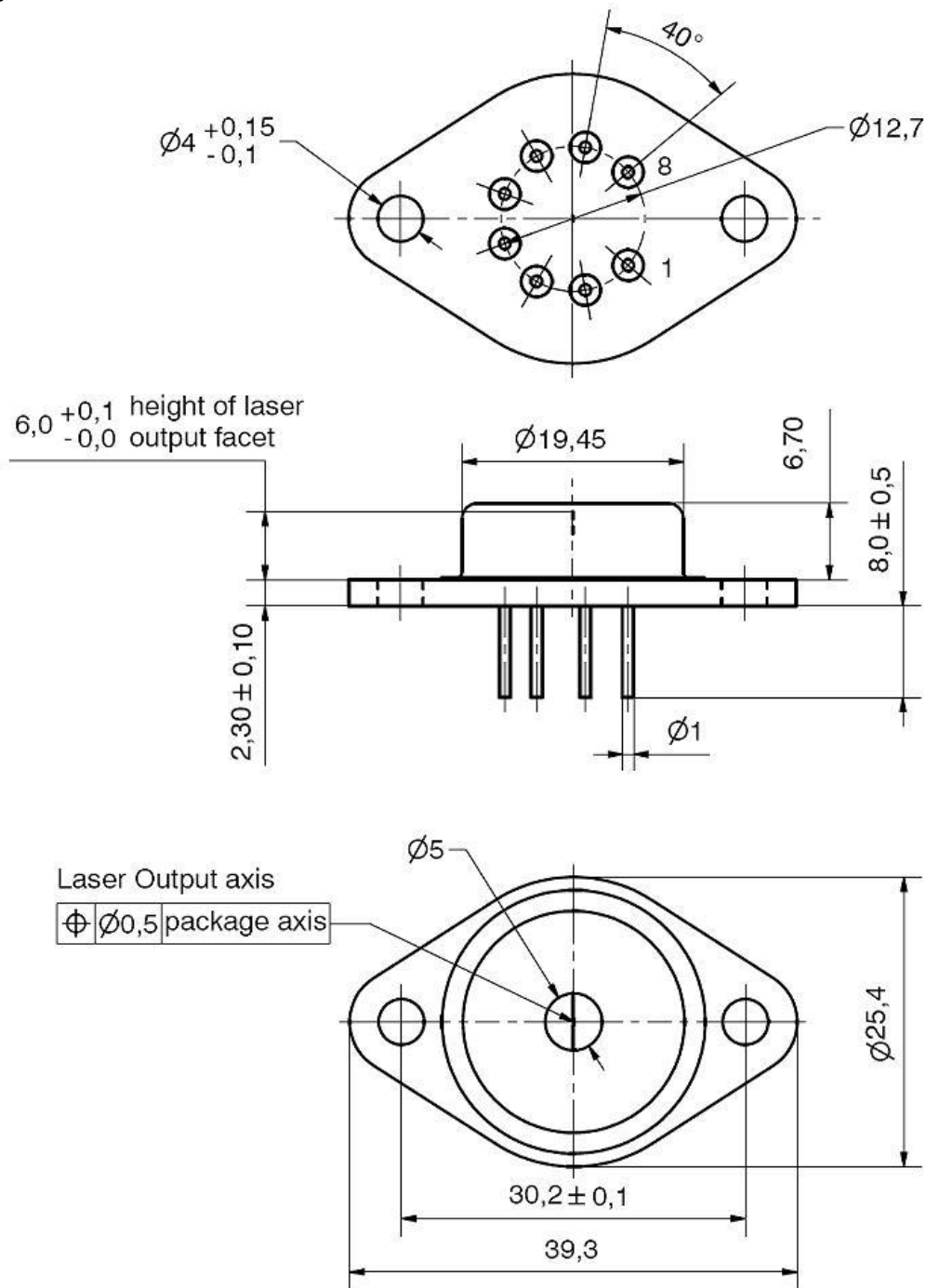
**PIN Layout:**

- Pin 1: TEC (+)
- Pin 2: NTC Thermistor 10kΩ at 25°C
- Pin 3: NTC Thermistor 10kΩ at 25°C
- Pin 4: Laser Cathode
- Pin 5: Laser Anode
- Pin 6: Photodiode Anode
- Pin 7: Photodiode Cathode
- Pin 8: TEC (-)

Document: <http://data.sacher-laser.com/DLMount/TO3Peltier.pdf>  
 Note: Specification are subject to change without further notice



**Package Information:**



**Window:**

The emission window is performed by 0.3mm thick quartz glass. The package is hermetically sealed and filled with  $N_2$  gas for environmental protection.

**Beam Properties:**

The fast axis of the laser beam is oriented parallel to the main axis of the TO3 can (connecting line between the screw holes).

Document: <http://data.sacher-laser.com/DLMount/TO3Peltier.pdf>  
 Note: Specification are subject to change without further notice

Sacher Lasertechnik GmbH  
 Hannah Arendt Str. 3-7  
 D-35037 Marburg, Germany

Tel.: +49 6421 305290  
 Fax: +49 6421 305299  
 Email: contact@sacher.de

Sacher Lasertechnik, LLC  
 5765 Equador Way  
 Buena Park, CA 90620, USA

Tel.: 1-714-670-7605  
 Fax: 1-714-670-7662  
 Email: sales@sacher-laser.com

