

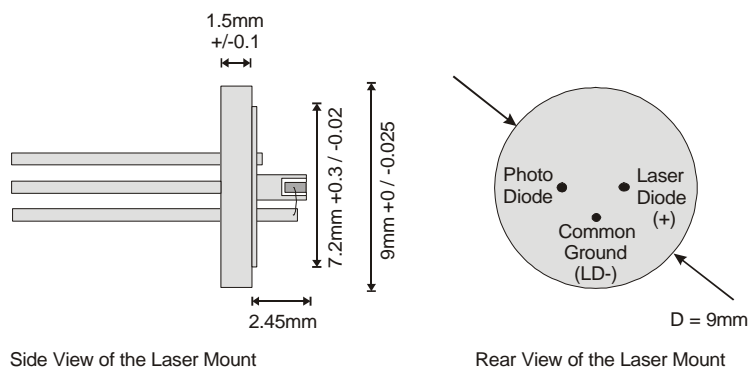
Model No.: FP-0740-010, Fabry Perot Diode Laser

Description: The FP-0740-010 is a high power MOVPE grown GaAsP/AlGaAs Fabry Perot diode laser. The chips are mounted in a 9mm TO-can. The diode laser operates spatially single mode and longitudinally multimode.

Characteristics: The characteristics are measured at 25°C operation temperature.

| Parameter | Symbol | Unit | min. | typ. | max. |
|--------------------------------|--------------------------|---------|-----------------------------|------|------|
| Center Wavelength | λ_c | nm | 730 | 735 | 740 |
| Spectral Width | $\Delta\lambda$ | nm | | 1 | |
| Temperature Coefficient | $\Delta T/\Delta\lambda$ | m/K | | 0.4 | |
| Output Power | P_{opt} | mW | 10 | | |
| Slope Efficiency | η | mW/mA | 0.5 | 0.65 | 0.8 |
| Threshold Current | I_{th} | mA | | 60 | |
| Operation Current @ 10mW | I_{op} | mA | | 80 | |
| Chip Length | L_c | μm | | 750 | |
| Emitter width | W_c | μm | | 4 | |
| Beam Divergence (FWHM) | $\theta_{ }$ | deg. | | 10 | |
| Beam Divergence \perp (FWHM) | θ_{\perp} | deg. | | 25 | |
| Polarization | | | | TM | |
| Mode Structure | | | fundamental transverse mode | | |

Laser Mount: 9mm TO-can with monitor diode



Document: <http://data.sacher.de/FPD/FP0740010.pdf>
 Note: Specification are subject to change without further notice

