

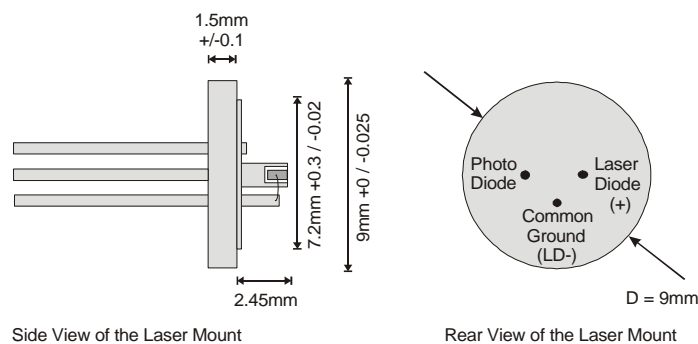
## Model No.: FP-0765-030, Fabry Perot Diode Laser

**Description:** The FP-0765-030 is a high power MOVPE grown GaAsP/AlGaAs Fabry Perot diode laser. The chips are mounted in a 9mm TO-can. The diode laser operates spatially single mode and longitudinally multimode.

**Characteristics:** The characteristics are measured at 25°C operation temperature.

Parameter	Symbol	Unit	min.	typ.	max.
Center Wavelength	$\lambda_c$	nm	755	760	765
Spectral Width	$\Delta\lambda$	nm		1	
Temperature Coefficient	$\Delta T/\Delta\lambda$	m/K		0.3	
Output Power	$P_{opt}$	mW		20	30
Slope Efficiency	$\eta$	mW/mA	0.8	0.9	1.1
Threshold Current	$I_{th}$	mA		35	
Operation Current @ 30mW	$I_{op}$	mA		60	80
Chip Length	$L_c$	$\mu m$		1500	
Emitter width	$W_c$	$\mu m$		4	
Beam Divergence    (FWHM)	$\theta_{  }$	deg.		10	
Beam Divergence $\perp$ (FWHM)	$\theta_{\perp}$	deg.		30	
Polarization				TE	
Mode Structure			fundamental transverse mode		

**Laser Mount:** 9mm TO-can with monitor diode



Document: <http://data.sacher.de/FPD/FP0765030.pdf>  
 Note: Specification are subject to change without further notice

