

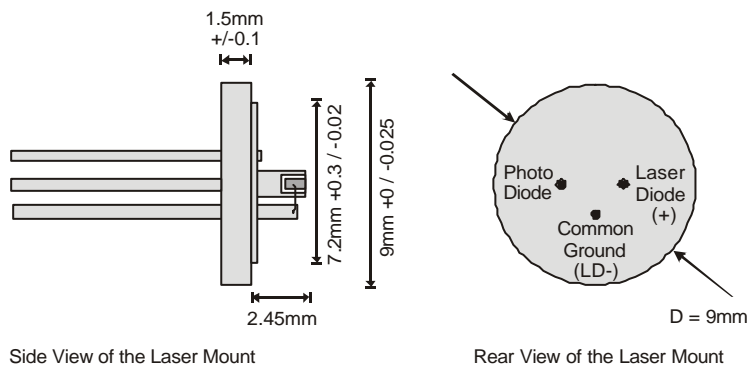
Model No.: FP-0780-100, Fabry Perot Diode Laser

Description: The FP-0780-100 is a high power MOVPE grown GaAsP/AlGaAs Fabry Perot diode laser. The chips are mounted in a 9mm TO-can. The diode laser operates spatially single mode and longitudinally multimode.

Characteristics: The characteristics are measured at 25°C operation temperature.

| Parameter | Symbol | Unit | min. | typ. | max. |
|--------------------------------|--------------------------|---------|-----------------------------|------|------|
| Center Wavelength | λ_C | nm | 778 | 785 | 792 |
| Spectral Width | $\Delta\lambda$ | nm | | <1 | |
| Temperature Coefficient | $\Delta T/\Delta\lambda$ | m/K | | 0.3 | |
| Output Power | P_{opt} | mW | | 100 | 120 |
| Slope Efficiency | η | mW/mA | 0.8 | 0.9 | 1.1 |
| Threshold Current | I_{th} | mA | | 50 | |
| Operation Current @ 100mW | I_{op} | mA | | 150 | 200 |
| Chip Length | L_C | μm | | 750 | |
| Emitter width | W_C | μm | | 4 | |
| Beam Divergence (FWHM) | $\theta_{ }$ | deg. | | 10 | |
| Beam Divergence \perp (FWHM) | θ_{\perp} | deg. | | 25 | |
| Polarization | | | | TM | |
| Mode Structure | | | fundamental transverse mode | | |

Laser Mount: 9mm TO-can with monitor diode



Document: <http://data.sacher.de/FPD/FP0780100.pdf>
 Note: Specification are subject to change without further notice

Sacher Lasertechnik GmbH
 Hannah Arendt Str. 3-7
 D-35037 Marburg, Germany

Tel.: +49 6421 305290
 Fax: +49 6421 305299
 Email: contact@sacher.de

Sacher Lasertechnik, LLC
 5765 Equador Way
 Buena Park, CA 90620, USA

Tel.: 1-714-670-7605
 Fax: 1-714-670-7662
 Email: sales@sacher-laser.com

