

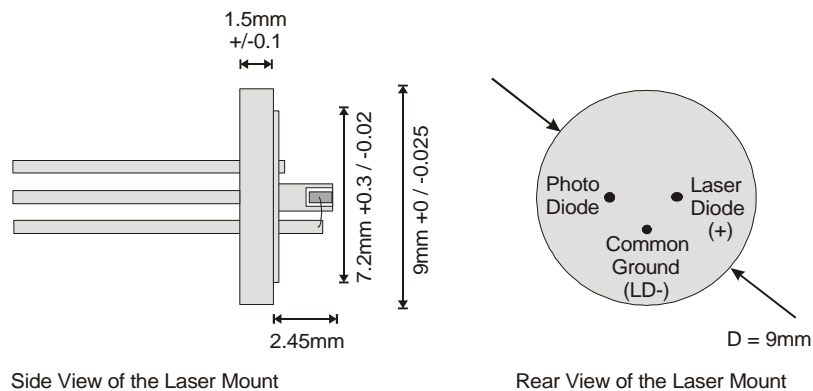
## Model-No.: FP-1060-80, Fabry Perot Diode Laser

**Description:** The FP-1060-80 is a high power MOVPE grown GaAsP/AlGaAs Fabry Perot diode laser. The chips are mounted in a 9mm TO-can. The diode laser operates spatially single mode and longitudinally multimode.

**Characteristics:** The characteristics are measured at 25°C operation temperature.

Parameter	Symbol	Unit	min.	typ.	max.
Center Wavelength	$\lambda_c$	nm	1053	1060	1067
Spectral Width	$\Delta\lambda$	nm		1	
Temperature Coefficient	$\Delta T/\Delta\lambda$	m/K		0.4	
Output Power	$P_{opt}$	mW		100	120
Slope Efficiency	$\eta$	mW/mA	0.6	0.8	1
Threshold Current	$I_{th}$	mA			30
Operation Current @ 50mW	$I_{op}$	mA		130	160
Chip Length	$L_c$	$\mu m$		750	
Emitter width	$W_c$	$\mu m$		3	
Beam Divergence    (FWHM)	$\theta_{  }$	deg.		10	
Beam Divergence $\perp$ (FWHM)	$\theta_{\perp}$	deg.		30	
Polarization				TE	
Mode Structure			fundamental transverse mode		

**Laser Mount:** 9mm TO-can with monitor diode



Document: \\Server02\TFT\FP-Laser\1060nm\FP1060080.rtf

