

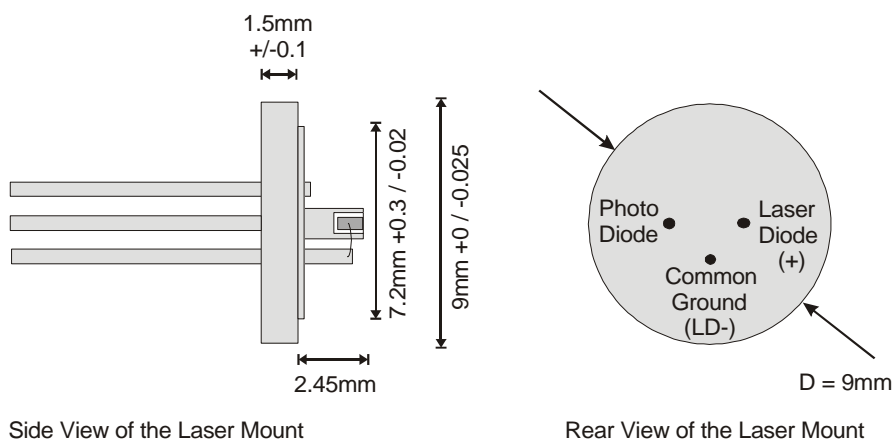
Model No.: FP-1080-50, Fabry Perot Diode Laser

Description: The FP-1080-50 is a high power MOVPE grown GaAsP/AlGaAs Fabry Perot diode laser. The chips are mounted in a 9mm TO-can. The diode laser operates spatially single mode and longitudinally multimode.

Characteristics: The characteristics are measured at 25°C operation temperature.

Parameter	Symbol	Unit	min.	typ.	max.
Center Wavelength	λ_c	nm	1070	1080	1090
Spectral Width	$\Delta\lambda$	nm		1	
Temperature Coefficient	$\Delta T/\Delta\lambda$	m/K		0.4	
Output Power	P_{opt}	mW	50		
Slope Efficiency	η	mW/mA	0.5	0.65	0.8
Threshold Current	I_{th}	mA		20	
Operation Current @ 50mW	I_{op}	mA		90	
Chip Length	L_c	μm		750	
Emitter width	W_c	μm		3	
Beam Divergence (FWHM)	$\theta_{ }$	deg.		10	
Beam Divergence \perp (FWHM)	θ_{\perp}	deg.		39	
Polarization				TE	
Mode Structure			fundamental transverse mode		

Laser Mount: 9mm TO-can with monitor diode



Document: <http://data.sacher.de/FPD/FP1080050.pdf>
 Note: Specification are subject to change without further notice

