

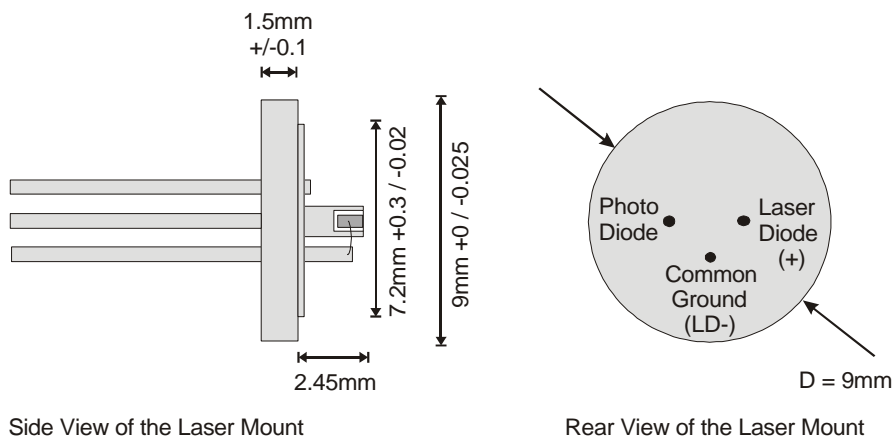
## Model No.: FP-1330-010, Fabry Perot Diode Laser

**Description:** The FP-1330-010 is a high power InGaAsP/InP Fabry Perot diode laser. The chips are mounted in a 9mm TO-can. The diode laser operates spatially single mode and longitudinally multimode.

**Characteristics:** The characteristics are measured at 25°C operation temperature.

Parameter	Symbol	Unit	min.	typ.	max.
Center Wavelength	$\lambda_c$	nm	1310	1330	1350
Spectral Width	$\Delta\lambda$	nm		2	
Temperature Coefficient	$\Delta T/\Delta\lambda$	m/K		0.4	
Output Power	$P_{opt}$	mW	10		
Slope Efficiency	$\eta$	mW/mA	0.09	0.16	0.25
Threshold Current	$I_{th}$	mA	8	15	20
Operation Current @ 10mW	$I_{op}$	mA	40	48	80
Operation Voltage @ 10mA	$V_{op}$	V	0.8	1.1	1.6
Chip Length	$L_c$	$\mu\text{m}$	250	300	350
Emitter width	$W_c$	$\mu\text{m}$		3	
Beam Divergence    (FWHM)	$\theta_{  }$	deg.		28	
Beam Divergence $\perp$ (FWHM)	$\theta_{\perp}$	deg.		28	
Polarization				TE	
Mode Structure			fundamental transverse mode		

**Laser Mount:** 9mm TO-can with monitor diode



Document: <http://data.sacher.de/FPD/FP1330010.pdf>  
 Note: Specification are subject to change without further notice

