

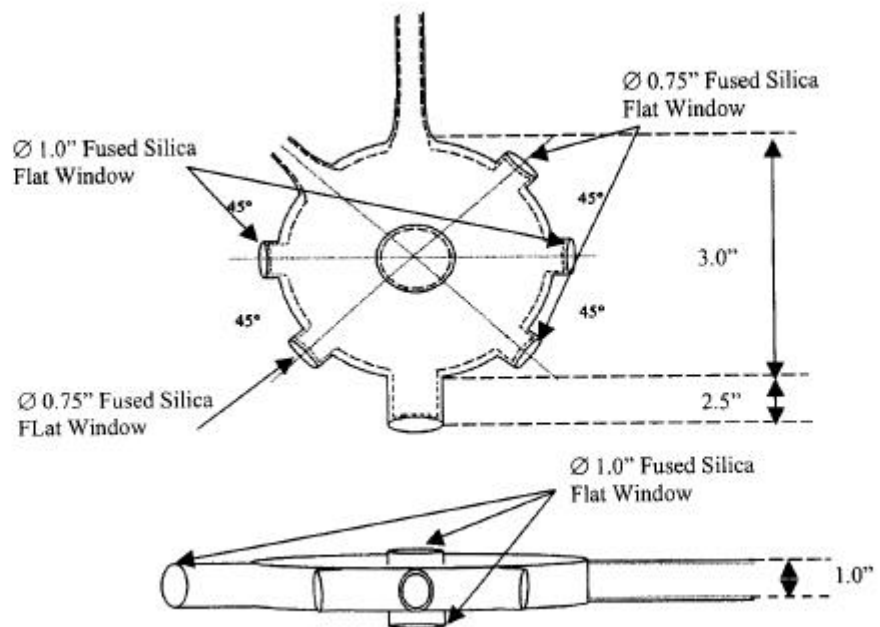
MOT Quartz Cell Specification, Type B

Manufacturer: Triad Technology, Inc., Longmont, CO
Contact: Archie Brown
Email: archie.brown@sacher-laser.com

Fill Material: Rubidium, Cesium, Potassium, Sodium, or customer specified

Window Material: UV grade fused silica

Dimensions :



Window Specification

Diameter:	0.75" and 1.0"
Window Angle:	0°
Thickness:	0.118"
Surface Quality	40-60 Scratch&Dig

Document: <http://data.sacher-laser.com/GasCell/MOTCellB.pdf>
 Note: Specification are subject to change without further notice

