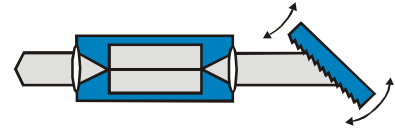
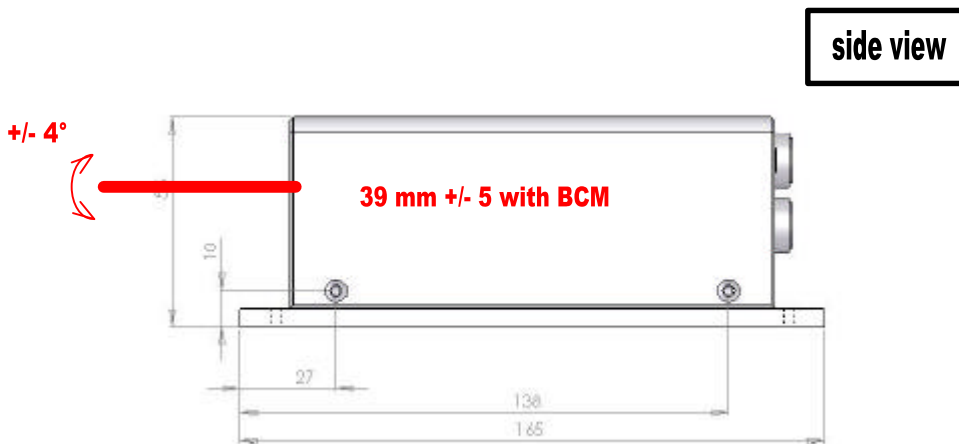
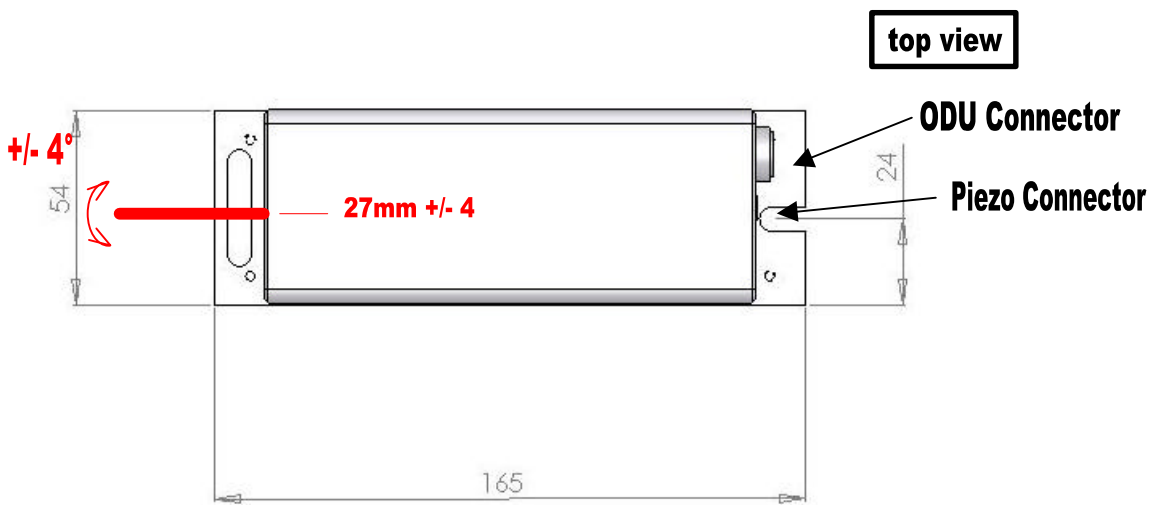


Lynx Series: Dimensions



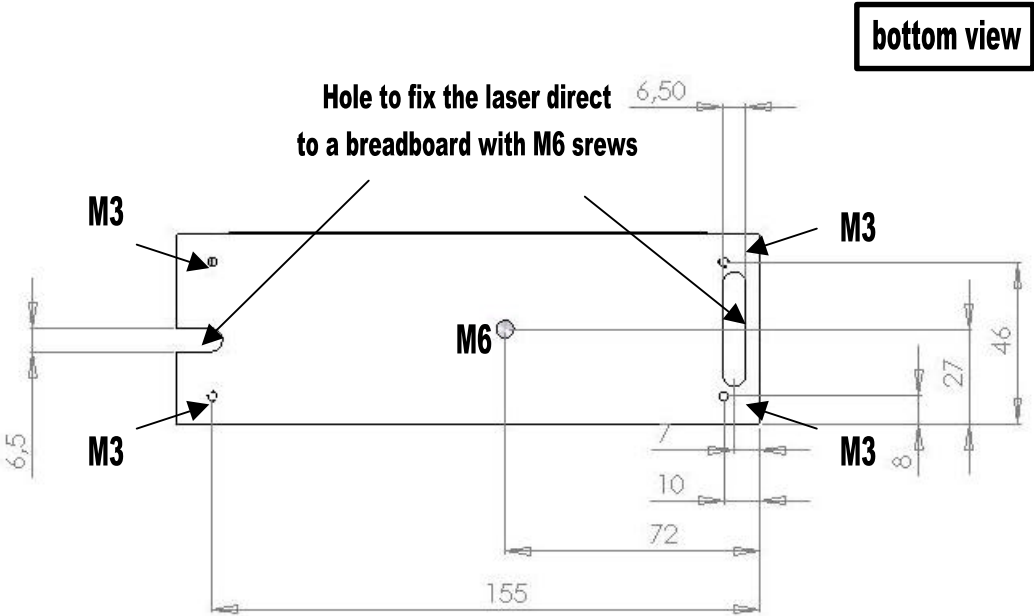
Description:

The TEC-120 Lynx Series is an External Cavity Diode Laser in Littrow Configuration. It is designed for applications which require high output power as well as low linewidth. Here you find the dimensions of our laserhead.



Document: <http://data.sacher-laser.com/Lynx/LynxDim.pdf>
 Note: Specification are subject to change without further notice.





Document: <http://data.sacher-laser.com/Lynx/LynxDim.pdf>
Note: Specification are subject to change without further notice.

Sacher Lasertechnik GmbH
Hannah Arendt Str. 3-7
D-35037 Marburg, Germany

Tel.: +49 6421 305290
Fax: +49 6421 305299
Email: contact@sacher.de

Sacher Lasertechnik, LLC
5765 Equador Way
Buena Park, CA 90620, USA

Tel.: 1-714-670-7605
Fax: 1-714-670-7662
Email: sales@sacher-laser.com

